

SIGANMETRIC

artificial bio intelligence

SIGAN SM300FC

Time attendance &
access control
fingerprint
& card

biometric
identification
and
recognition
systems

finger & card



TIME ATTENDANCE & ACCESS CONTROL

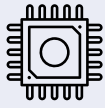
FINGER + CARD



SPECIFICATIONS



Operating system
Embedded LINUX



Processor
Dual-core ARM Cortex-A7,
900 MHz, 32 KB I-cache



Face recognition records
160,000



MTBF
Mean Time Between
Failures 50,000 hours



Proximity cards
Supports EM/ Mifare cards



Protocol
Wiegand (WG26, WG34)
I/O, relay out, RS485



Network
RJ45 10M/100M adaptive
Ethernet port



Weather rating
IP 66, RH 90%
Temperature -20°C-60°C



Card & fingerprint
3000 users using card
& fingerprint



USB port
USB 1.0, USB 2.0(optional)



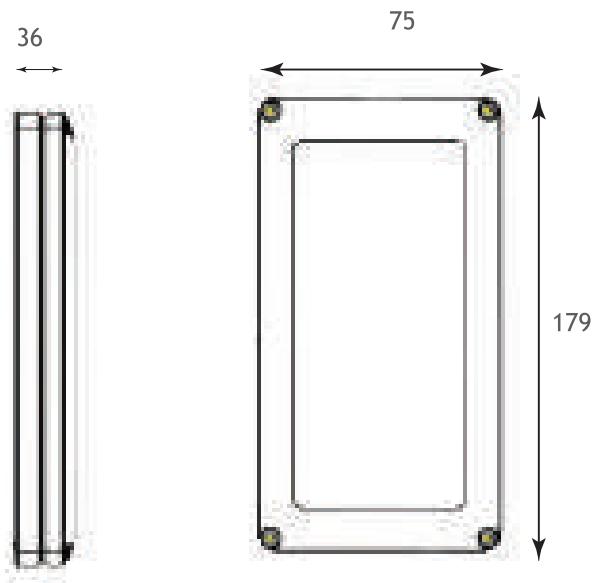
Bracket type
Wall mount, Column type



Power supply
12VDC, 3.0A
Consumption 20Watt(max)

Authentication Method	Fingerprint, Proximity Card
Fingerprint sensor	Certified scratch proof sensor, Made in Korea under strict industry standards to insure long life and stability
Ingress protection rating	IP54, Designed for indoor application
Max Users	3000
Fingerprints (Templates)	3000
Logs	700000
Communication With Server	TCP/ IP network
Wiegand OUT	Wiegand 26/ 34
RS232	1
RS485	1
USB port	1
Display	LED Indicators for On/ Off/ Active
Backlight	Complete keyboard is backlit.
Card	Mifare 13.56MHz 1K RFID Smart Cards ISO14443A EM 125KHz frequency
Function keys	(option) Touch key for bell, to avoid use of electro-mechanical bell. This way the visitors or office mates can easily press the same.
Material	High quality ABS plastic
FP Sensor	Platen Area Resolution 16 x 20 mm 500 dpi
Dimension	LxWxH (mm) 179 x 75 x 36
Weight	1500gms
FRR /FAR	0.1% / 0.0001%
Environment	Temperature Humidity -10°C-50°C 10% ~ 90%
Power	DC12V/ 1A

dimensions (in mm)



ordering nomenclature

SIGAN SM 300FC

SIGANMETRIC artificial bio intelligence

SIGANMETRIC

artificial bio intelligence



www.siganmetric.com