

# SIGANMETRIC

artificial bio intelligence

## SIGAN SM300FCP

Time attendance &  
access control  
fingerprint  
card &  
code



biometric  
identification  
and  
recognition  
systems

finger, card, code

TIME ATTENDANCE & ACCESS CONTROL

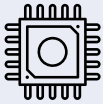
FINGER + CARD + CODE



## SPECIFICATIONS



**Operating system**  
Embedded LINUX



**Processor**  
Dual-core ARM Cortex-A7,  
900 MHz, 32 KB I-cache



**Face recognition records**  
160,000



**MTBF**  
Mean Time Between  
Failures 50,000 hours



**Proximity cards**  
Supports EM/ Mifare cards



**Protocol**  
Wiegand (WG26, WG34)  
I/O, relay out, RS485



**Keyboard**  
3 x 5 Alpha-numeric keyboard,  
with bell



**Network**  
RJ45 10M/100M adaptive  
Ethernet port



**Weather rating**  
IP 66, RH 90%  
Temperature -20°C-60°C



**Card & fingerprint**  
3000 users using card  
& fingerprint



**USB port**  
USB 1.0, USB 2.0(optional)



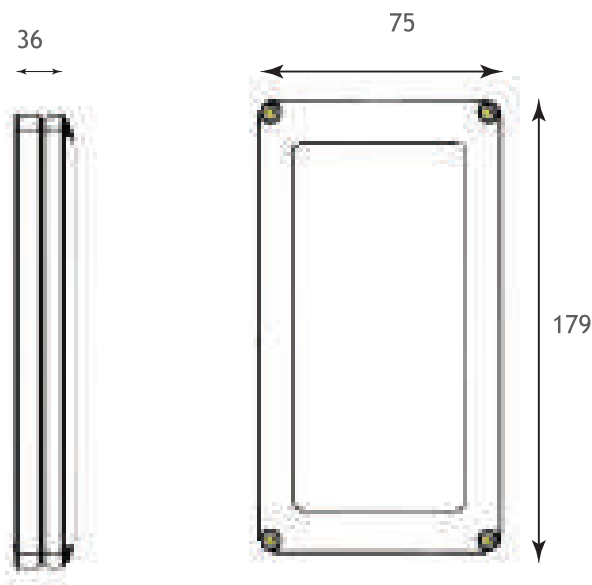
**Bracket type**  
Wall mount, Column type



**Power supply**  
12VDC, 3.0A  
Consumption 20Watt(max)

Authentication Method	Fingerprint, Proximity Card, Code
Fingerprint sensor	Certified scratch proof sensor, Made in Korea under strict industry standards to insure long life and stability
Ingress protection rating	IP54, Designed for indoor application
Max Users	3000
	Fingerprints (Templates)
	3000
	Logs
	700000
Communication	With Server
Wiegand	TCP/ IP network
	Weigand 26/ 34
	RS232
	1
	RS485
	1
	USB port
	1
Display	LED
	Indicators for On/ Off/ Active
	Complete keyboard is backlit
Card	13.56MHz 1K RFID Smart Cards ISO14443A
	125KHz frequency
Keypad	3 x 5 Alpha-numeric keyboard, with bell feature. Function keys touch key for bell, to avoid use of electro-mechanical bell. This way the visitors or office mates can easily press the same.
	High quality ABS plastic
Material	High quality ABS plastic
FP Sensor	Platen Area
	16 X 20 mm
	Resolution
	500 dpi
Dimension	LxWxH(mm)
FRR /FAR	179 x 75 x 36
Environment	Temperature
	Humidity
	0.1% / 0.0001%
	-10°C-50°C
	10% ~ 90%
Power	DC12V/ 1A

dimensions (in mm)



ordering nomenclature

SIGAN SM 300FCP

SIGANMETRIC artificial bio intelligence

**SIGANMETRIC**

artificial bio intelligence



www.sigametric.com